



**CACOOSING DISTRICT
SCOUTS BSA
ACTIVITY PROGRAM**

January 11, 2025

**Hawk Mountain
Scout Reservation**

2025 KLONDIKE DERBY

Participants

Scoutmaster and Senior Patrol Leader:

The excitement and enthusiasm for 2025 Klondike Derby is growing! Guidelines and details for this year's Klondike derby is included in this packet. Please ask questions prior to the event if they arise during your preparation for the derby. The following items listed will help to understand the expectations of the derby.

PARTICIPATING SCOUTS

- Patrols should remain the same at each station throughout the day
- Patrols that fail to complete the trail must sign out at the Klondike HQ
- Patrols are expected to follow the trail that is outlined on the map and follow all the instructions given to the Patrol leaders when signing in for the derby.
- Patrols are expected conduct themselves based on the values of the scouting program: this includes patrol name, on-trail movement, and station times.
- The Official Scout uniform is **not** expected at this event

UNIT LEADERS

- During the derby unit leaders should respect the format of the derby by allowing patrols to participate in each station event without interference.
- For safety reasons, we require that a minimum of two adult leaders per Troop (one of whom must be over 21 years of age) remain on the Reservation property during the Derby.
- Derby Recognition awards, patches, and score sheets will all be done immediately following the derby.
- Patrols that fail to comply to the guidelines of the derby may suffer loss of points during the derby

KLONDIKE JUDGES

- Stations should be challenging and incorporate the use of the patrol method
- Stations should be setup to be consistent for all patrols which includes scoring, expectations, time, and provided directions
- Stations will only include content that is used in the station description packet and will only be evaluated based on the reference(s) cited in the station description packet
- A station score sheet should be used to support managing the station consistently throughout the day and to provide reflection materials back to the troop leadership after the derby is completed.

2025 KLONDIKE DERBY EVENT INFORMATION

DATE: Saturday, January 11, 2025. **THE EVENT WILL BE HELD RAIN, SNOW OR SHINE.**

NO ALTERNATE DATE. Cancellation, if necessary, will be emailed and/or texted to SM and CC of each unit within the district.

TIME: 8:00 AM to 4:00 PM (Patrols finishing after 4 PM may or may not be considered for placing)

PLACE: Hawk Mountain Scout Reservation

REGISTRATION:

All Units must submit their [online registration](#) to the Hawk Mountain, by Tuesday, January 7, 2024. Scouts are \$8.00 and Adults who are not station judges are \$5.00. On the day of the event, a Unit Leader or SPL must check-in at the Willits (Scouts BSA) Dining Hall with a [completed Derby Roster](#) listing all Scouts and adults in Camp. Vehicles used for the day must follow camp policy.

ANY REGISTRATION RECEIVED AFTER THE DEADLINE WILL BE ASSESSED AN ADDITIONAL **\$1.00** PER SCOUT LATE FEE. TROOPS REGISTERED ON TIME AND HAVE ADDITIONAL SCOUT(S) TO PARTICIPATE ARE NOT SUBJECT TO LATE FEE(S).

STARTING TIME:

All Patrol Leaders must arrive at camp with their Patrol and sled between 8:00 AM – 8:45 AM and report to the Willits (Scouts BSA) Dining Hall for their initial inspection.

Stations will last approximately 25-30 minutes with the exception of cooking (lunch) which will be one hour. The recognition and awards portion will occur following the Klondike Derby.

KLONDIKE PATROLS:

No less than 4 or more than 8 Scouts per patrol. One Scout is to be the driver of the sled (the driver steers & brakes the sled). All other remaining Scouts pull the sled with the tow ropes. The driver must give direction on how to pass obstacles such as logs, rocks, and ditches. All patrols must be comprised of Scouts from the same troop unless cleared by the Klondike committee.

NO MORE THAN 8 SCOUTS MAY BE WITH THE SLED AND PARTICIPATE AT THE KLONDIKE DERBY STATIONS.

Patrols who attempt to enter the derby with more than 8 scouts will have their score excluded from the derby competition. This also includes rotating scouts between stations. We encourage your troop to mix older Scouts with younger Scouts. This is a great training tool for your older Scouts to “lead” the younger Scouts.

2025 KLONDIKE DERBY REQUIRED EQUIPMENT

PERSONAL EQUIPMENT:

- Mess Kit
- Eating Utensils
- Rain clothing
- Folding pocket knife on each person (no fixed blade knife)
- Cold weather clothing, gloves and cap, extra socks in coat pocket
- Above 45 degrees - A long underwear/thermal layer need not be worn but must be brought along – Be Prepared!
- Weather – proof shoes or boots.

SCOUTS MUST HAVE:

Inspection stations will also include the following: Scouts having stocking caps or hats that are able to cover the ears, gloves or mittens, and weatherproof shoes or boots covering/providing ankle support. Hoods do not qualify as proper head gear but are recommended as additional protection. **Athletic shoes will not be permitted on the trail. Anyone not properly dressed will not be permitted on the trail!** Judge's decision at the initial sled inspection is final!

PATROL EQUIPMENT:

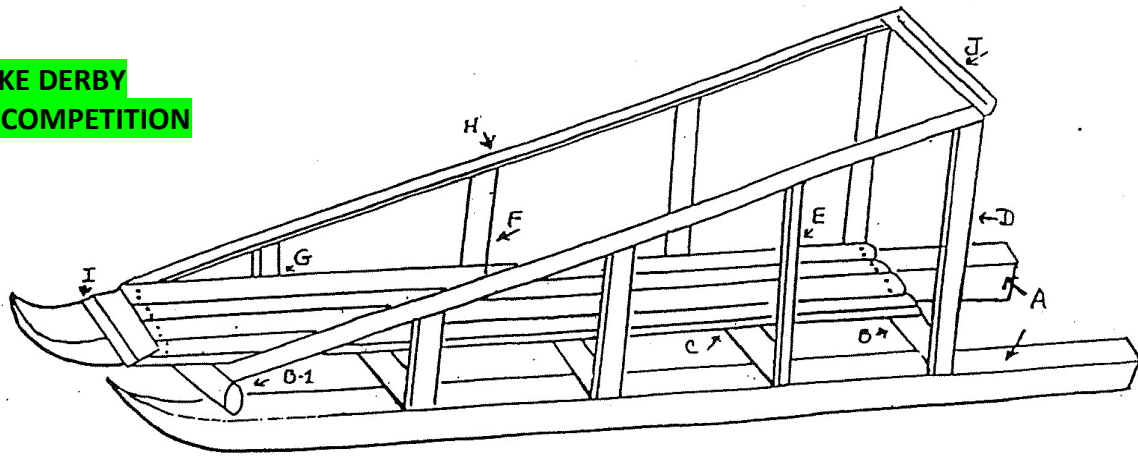
- Sled made to meet required specifications noted herein
- Patrol Flag
- Patrol cooking gear
- Hobo stove with matches, tinder, kindling and fire wood for lunchtime meal
- Patrol first aid kit (include three pair of rubber gloves and three safety goggles)
- Sled repair kit
- Water jug(s) to hold two gallons of water
- Watch
- Solid-Made wheels with one axil
- Minimum of two compasses
- Rope
- One blanket (at least one full size for making an emergency stretcher)
- Paper and pencils, and a covered clipboard
- Coffee can or plastic container containing a roll of toilet paper.

NOTE: There will be an initial inspection of Scouts and Patrol gear at the Klondike HQ. B.S. Dinning Hall will also serve as the registration area prior starting on the trail and for final inspection along the trail. All equipment listed above is necessary for the Derby.

IF ANY OF THE FOLLOWING ITEMS ARE USED OR DONE, POINTS DEDUCTIONS AND/OR DISQUALIFICATION WILL RESULT:

SCOUT HANDBOOKS OR OTHER HANDBOOKS, CELL PHONES, WALKIE TALKIES, IMPROPER NUMBER OR SIZE OF WHEELS USED ON THE BOTTOM OF THE SLED, OR MOVING STATION MATERIALS WITHOUT PERMISSION

**2025 KLONDIKE DERBY
SLEDS – FAIR COMPETITION**



BILL OF MATERIALS

A.	2 pieces	2"x6"x6'6"	runners.
B.	4 pieces	2"x2"x18"	cross supports.
B1.	1 piece	2"x2"x20"	cross support.
C.	4 pieces	1/2"x4"x5'	floor planks.
D.	2 pieces	1"x2"x40"	rear uprights.
E.	2 pieces	1"x2"x31"	second rear upright.
F.	2 pieces	1"x2"x22"	second front upright.
G.	2 pieces	1"x2"x18"	front uprights.
H.	2 pieces	1"x2"x6'	hand rails.
I.	1 piece	1"x4"x16"	tow bar.
J.	1 piece	1"x2"x20"	handle bar.

SLED SPECIFICATIONS:

Sleds may be of your own design, or you may use the sample plan that is included in this booklet. All sleds must be built to the following specifications:

1. Capable of transporting one Scout and 50 pounds of gear.
2. Length 5 foot minimum; 6 ½ foot maximum.
3. Width – 18 inch minimum; 24 inch maximum.
4. Sleds must have a minimum of 4-inch ground clearance.
5. **One pair of solid-made wheels on a single axel with a wheel diameter not to exceed eight (8) inches may be mounted on the sled. Patrol should make decision to use wheels. No deer carts. Wheels not fitting allowed size or correct number will need to be removed prior to starting the derby.**
6. Sleds are to be made of wood. Metal hardware may be used.
7. Sleds should have two ropes of ¾ inch and 12 feet long; one for each side of the sled (no wash line or twine). A brake rope at the rear of the sled is essential.
8. A sled repair kit with 4 – 5 items is required for minor sled repairs that may be needed on the trail. Include hammer, screwdriver, pliers, wrench, nuts/bolts, nails, or screws and wire/duct tape to repair sled. Inspectors expect each sled to be repairable on the trail, plan your kit accordingly.
9. **If commercial skis are used as runners, they must be reinforced with 1" x 4" or heavier boards.**
10. Sleds should have wire or cloth on the sides to prevent the loss of patrol gear.
11. Side rails make lifting of the sled easier over ditches or logs.

2025 KLONDIKE DERBY COOKING

NOTE: LIQUID FUELS ARE NOT PERMITTED AT HAWK MOUNTAIN SCOUT RESERVATION. PROPANE AND BUTANE WILL NOT BE ALLOWED FOR THE COOKING STATION. CHARCOAL MAY BE USED AND IS RECOMMENDED. MATCHLIGHT CHARCOAL IS PREFERRED.

COOKING INSTRUCTIONS

Only the Patrol members are permitted to prepare the meal; adults are not permitted to assist in any way. Each Patrol must prepare an extra serving for a judge and a portion of the score will depend on how much the Patrol impresses the judge with their meal. **Patrols should have at least two extra freezer bags to take left over food with them at the conclusion of the station.**

MENU:

1. Meat/Vegetable stew or chili –prepared and cooked on site. No canned or pre-made stew.
2. Hot beverage
3. Bread, and spread (jelly, peanut butter, butter, etc.)
4. Dessert

The type of meat for the stew and ingredients for the stew will be up to the Patrol. Pre-cooking the meat is allowed and is recommended. Canned vegetables are acceptable to add to a stew or chili.

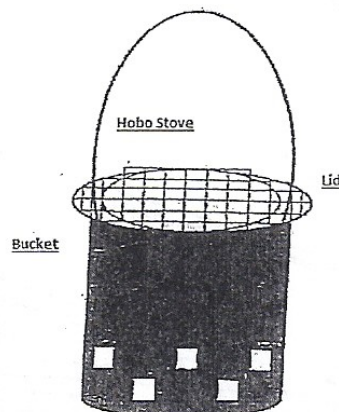
UTENSILS: Each Scout in the Patrol must bring his mess kit and utensils. The Patrol will need a large pot for the stew (a Patrol of 8 will need to prepare 9 servings), a Chef's kit, and additional pots and pans as required. Also, two garbage bags for clean-up. Bring everything you will need. No borrowing!

ADDITIONAL EQUIPMENT: Each Patrol will need to bring a hobo stove of the type shown. The Patrols must also bring enough charcoal or dry wood to cook the meal.

Secure a five-gallon metal bucket. It may be round or square. Burn it out well to get rid of whatever was in it, such as paint, detergent, tar, etc.

Cut holes near the bottom of the can. They should be at least 4 X 4 inches. Let at least a 3-inch wide strip of metal between the holes as shown in the drawing.

The stove needs a lid on which to set your cooking utensils and allow smoke to escape. This can be made from ½ inch mesh chicken wire, fastened on a heavy wire hoop. The hoop should be about an inch larger in diameter than the top of the hobo stove.



2025 KLONDIKE DERBY - SKILL STATIONS

INSPECTION

There will be two inspections. The initial inspection will score the patrol station prior to entering the trail. Patrols will be expected to demonstrate preparedness and fair competition. At the closing inspection, patrols will be expected to demonstrate appropriate patrol and sled appearance.

FIRST AID

Scouts will need to be able to solve and treat an emergency situation that occurs in the woods/on the trail, on a seasonal troop outing, or a first aid situation that would be common in everyday living. Scouts should be prepared to show the contents of their patrol first aid kit. Judges will be checking for recommended items. Scouts must be familiar with all first aid information contained in the current edition of the Scouts BSA Handbook and/or First Aid Merit Badge book.

WINTER BIRDS OF PA

Scouts should be familiar with birds found during the winter season in Pennsylvania. See attached bird list. Additionally, scouts should be able to **identify the calls of the first 8 birds on the list.**

ID & Sound: American Goldfinch, Carolina Chickadee, Mourning Dove, Northern Cardinal, Blue Jay, White-throated Sparrow, Carolina Wren, Pileated Woodpecker

ID: Downy Woodpecker, Hairy Woodpecker, Red-bellied woodpecker, Tufted Titmouse, White-breasted Nuthatch, Red-breasted Nuthatch, Dark-eyed Junco, Eastern Bluebird, Northern Flicker, Brown Creeper, Ruby-crowned Kinglet, Golden-crowned Kinglet, American Crow

RANGE AND TARGET ACTIVITIES (FORMERLY SHOOTING SPORTS)

Scouts will need to know proper range safety guidelines & procedures of a BSA Range and Target Activity (shooting sports) range. Scouts must have knowledge of shooting techniques, BB Gun parts, BB sight chart, and shooting positions. Information for this station is from BSA 510-322-- "Cub Scout Shooting Sports Guide" Relevant pages are 10-12, 14-15, 30-37. Scouts will shoot in a patrol level shooting competition as part of their score for this station.

KNOTS

Scouts will need to know all of the required knots for rank advancement and be familiar with other knots found in the current edition of the Scouts BSA Handbook. The Scouts will be required to identify each knot and know how each knot is used in the outdoors.

SURPRISE STATION

Scouts will be evaluated on leadership, teamwork participation, and completion of an unknown task within a set of parameters provided by the Judge at the station.

COMPASS

Scout should be prepared to use their pace count and a compass to follow a bearing, know how to orient a map, know the colors of a map, and how to adjust for declination. All of these are covered in the navigation section of your Scout Handbook.

COOKING

Scouts will be required to cook a lunch for themselves that will be evaluated based on proper menu, on-site preparation, leadership, patrol participation, quality of the meal, clean-up, and good etiquette. Please bring a Zip lock bag for the leftover stew.

NATIONAL JAMBOREES

Scouts should be familiar with the history behind National Scout Jamborees. Scouts should be able to explain what experiences a scout can/will have at The Summit - Scout Jamborees 2026.

SEARCH & RESCUE

Scouts will see a station consisting of a search & rescue scenario. Scouts will be required to work together to plan and search a wilderness area for lost items and/or persons.

FLAG CEREMONIES

Scouts will be required to know how to perform duties for properly presenting a flag ceremony in the following scenarios: 1) a simple opening for regular meetings and camp outs, 2) a complex opening for courts of honor, 3) on Memorial Day 4) and in public parades. There will be both written and practical components to this station. Scouts should know the rules of etiquette governing each of these scenarios given to units and be prepared to demonstrate ceremonies, and also, answer written questions on proper etiquette.

American Flag Etiquette at Unit Meetings

There are a few rules every unit will need to follow: while in procession, the American flag will lead the right-most line in the formation (the marching right) the American flag is the first to be posted to its stand, on the left-most side of the audience uniformed Scouts and Scouters will quietly observe the flag, holding their Scout Salute plain clothed attendees will place their hands over their hearts do not let the flag touch anything beneath it (this means younger Scouts with little control over a heavy flag and staff should be assisted by an older Scout or adult leader to ensure the flag doesn't touch the ground) Regardless of the unit type, all ceremonies should post the flag in the same order (American flag first) and in the correct location (American flag to the audience left).

Simple Flag Ceremony For Troop Meetings or Campouts

A simple flag ceremony for younger Scouts looks a little something like this:

Determine who will participate in your Color Guard (the Scouts who carry and post the American and Unit flags) and who will lead the ceremony. The color guard will line up in two equal lines. The left-most line will be led by a Scout carrying the unit flag, whereas the right-most line will be led by a Scout carrying the flag of our nation. To open the ceremony, they will wait for the ceremony leader to initiate and provide ceremony prompts, as follows.

Leader: Color Guard, attention. Will the audience please rise? (The color guard will stand straight, perfect their lines, and prepare to march. The audience will stand.)

Leader: Color Guard, advance. Scout Salute. (This is a prompt for both lines to begin their forward march and for all uniformed Scouts to properly salute the flag. The Color Guard does NOT salute.)

Leader: Color Guard, halt. (The color guard is prompted to end their forward march where the audience seating begins, a distance from both flag stands. The Color Guard still does NOT salute.)

Leader: Please join me in the Pledge of Allegiance. (All participants recite the Pledge of Allegiance save the Color Guard.)

Leader: Two. (Scouts drop their salute. Participants remove their hands from their hearts.)

Leader: Color Guard, post the colors. (The flag bearers post the flags to their stands while the other Scouts in the color guard remain in place. The American flag is posted first, crossing from its right-most position to the left-most stand.)

The unit flag follows, crossing from its left-most position to the right-most stand. At this time, the Color Guard salutes the American flag.)

Leader: Color Guard, retreat. (The Scouts in the color guard turn and walk to their starting point in two straight lines. Then they join their fellow Scouts in the audience.)

To close your ceremony:

Leader: Color Guard, attention. Will the audience please rise? (The color guard will stand straight, perfect their lines, and prepare to march. The audience will stand.)

Leader: Color Guard, advance. Scout Salute. (This is a prompt for both lines to begin their forward march and for all uniformed Scouts to properly salute the flag. The Color Guard does NOT salute.)

Leader: Color Guard, halt. (The color guard is prompted to end their forward march where the audience seating begins, a distance from both flag stands. The Color Guard still does NOT salute.)

Leader: Color Guard, retire the colors. (The flag bearers march to the flags and lift from the bases. The American flag is crossed from its position to the right-most line, followed by the unit flag which is crossed from its position to the left-most line. Both lines retreat to their starting point.)

Leader: Two. (Scouts drop their salute.)

Complex Flag Ceremony for Courts of Honor

Leader: Color Guard, attention. Audience, please rise.

Leader: Scout Salute. Those not in uniform, please place your right hand over your heart.

Leader: Color Guard, forward march.

Leader: Color Guard, halt.

Leader: Color Guard, cross the colors.

Leader: Please recite the Pledge of Allegiance.

Leader: Two.

Leader: Scout Sign. Please join us in reciting the Scout Oath and Scout Law.

Leader: Two.

Leader: Color Guard, post the flag of the United States of America.

Leader: Color Guard, post the flag of Troop ____.

Leader: Color Guard, honor your colors.

Leader: Color Guard, retreat.

Leader: Audience, please be seated.

To close your ceremony:

Leader: Color Guard, attention. Audience, please rise.

Leader: Scout Salute.

Leader: Color Guard, forward march.

Leader: Color Guard, halt.

Leader: Color Guard, retire your colors.

Leader: Two.

Leader: Audience, please be seated.

Memorial Day Flag Ceremony and Etiquette

As your Scouts raise and lower the flag on this special holiday, remember that it must first be flown at half-staff from sunrise to noon, then raised briskly to full-staff until sunset.

This is how our country honors our battle heroes.

At 3:00 p.m. local time, Scouts should salute the American flag in uniform and say, out loud, the name of a fallen hero.

At 3:01pm local time, all Scouts who play the bugle or horn are invited to play "Taps."

How To Display The Flag in a Procession.

The flag, when carried in a procession with another flag or flags, should be either on the marching right (the flag's own right), or, if there is a line of other flags, in front of the center of that line.

At no time should any other flag or banner pass in front of the Flag of the United States ("front" means nearest or next to the presiding officer).

The flag should not be displayed on a float in a parade, except from a staff.

The flag should not be draped over any part of a vehicle, train or boat.

When the flag is passing in a parade or in review, all persons present except those in uniform should face the flag and stand at attention with the right hand over the heart. Those present in uniform should render the military salute.

The salute to the flag in a moving column should be rendered at the moment the flag passes.

Note: This was compiled from multiple online sources.

**2025 KLONDIKE DERBY
TROOP ROSTER**

Troop # _____

Unit Leader @ Camp: _____

Unit Leader Phone #: _____

Campsite (if camping): _____

Patrol Name: _____

Scouts:

Patrol Name: _____

Scouts:

Adult Leaders at Camp for the Derby

Name & Phone #: _____

Name & Phone #: _____

Name & Phone #: _____

Name & Phone #: _____

Patrol Name: _____

Scouts:

Patrol Name: _____

Scouts:
