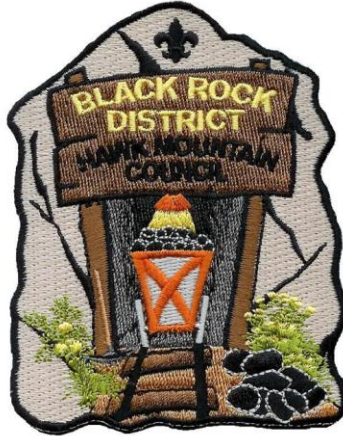


# BLACK ROCK DISTRICT



## KLONDIKE DERBY

Jan. 25<sup>th</sup> , 2020

### Hawk Mountain Scout Reservation

To all Scoutmasters and SPL's: Please be aware that more volunteers are needed to make this a successful event. Adults and Scouts over the age of 16 are needed. If anyone is interested, please contact me ASAP.

Chuck Faust – (570) 294-0794 [bsa03eagle@hotmail.com](mailto:bsa03eagle@hotmail.com)



Prepared. For Life.™

# **BLACK ROCK DISTRICT KLONDIKE DERBY 2020**

## **HAWK MOUNTAIN COUNCIL**

Dear Senior Patrol Leader and Scoutmaster:

The 2020 Klondike Derby will continue to be a great tradition of winter activities for our district. We are proposing an exciting array of activities for this year's Klondike and, as in the past, we need your support.

First, please take the time to read the attached booklet and become familiar with its content. There are changes from previous Klondike Derbies. The format will be slightly different from previous years. As long as Patrols/Teams follow the guidelines that are contained in this booklet, they will be fine and have a great experience at the event.

Secondly, as Scoutmaster, be aware of the limited role that you and other adults actually have once the Klondike Derby begins. This is a Scout only event that is conducted using the Patrol method. We need to keep it this way. Any assistance from adults, Leaders or otherwise, will result in penalization to the Patrol.

Finally, don't be afraid to ask questions prior to the event. It will help make it a better event for everyone involved.

The main purpose of this event is to have fun and test the Scouts on their knowledge of Scout skills. Our aim is to help you, as a Leader, to find out where your Scouts excel and where they could use help. At the end of the Derby, we will make available to all leaders that want it, a copy of the score sheet. That way you will be able to see how your Patrol(s) scored at each station.

Yours in Scouting,

Chuck Faust  
Activities Chair

Chuck: Phone: 570.294.0794, bsa03eagle@hotmail.com

**NOTE: ADULTS MAY NOT FOLLOW SCOUTS THROUGHOUT THE COURSE. IF YOU WANT TO SEE YOUR SCOUTS AT WORK, VOLUNTEER TO HELP AT A STATION. OTHERWISE, PLEASE LET YOUR SCOUTS OPERATE ON THEIR OWN. THEY WILL GET MUCH MORE OUT OF IT IF THEY ARE ALLOWED TO FIND THEIR OWN WAY! THANK YOU FOR YOUR COOPERATION.**

# BLACK ROCK DISTRICT KLONDIKE DERBY 2020

## Basic Information

**Date:** Saturday, January 25<sup>th</sup>, 2020. (THE EVENT WILL BE HELD RAIN, SNOW OR SHINE)

**Time:** 8:00 am to 7:00 pm      **Place:** Hawk Mountain Scout Reservation

**Registration:** All Units must register online through their Tentaroo Account by 5 pm Friday, January 10<sup>th</sup>, 2020, if assistance is needed please call the Council Office (610) 926-3406. On the day of the event, a Unit Leader or SPL must check-in at the Administration Building with a completed Derby Roster listing all the Scouts and adults in camp. All vehicles must remain in the parking lot. Any registration received after the deadline will have a \$5.00 per Scout late fee.

**Starting Time:** All Patrol Leaders must arrive at camp, with their Patrol and sled, between 8:00 and 8:45 am. Teams are to arrive at this time also (see Advanced Trail page for details). They must report outside of the welcome center for check in. Stations will last 30 Minutes and sleds will be given 15 minutes to travel between stations. Lunch will be 1 hour and 15 minutes. The Derby will start promptly at 9:00 am in the parking lot. Stations will start at 9:15. If a sled does not follow the schedule, they run the risk of not completing station(s). The recognition and awards portion will take place following the Klondike Derby at approximately 5:30pm

**Teams:** Not less than 4 or more than 8 Scouts to a sled. One Scout is to be the driver of the sled (the driver steers and brakes the sled). All remaining Scouts pull the sled with the tow ropes. The driver gives the direction on how to pass obstacles such as logs, rocks and ditches. All teams must be comprised of Scouts from the same Troop/Crew. **NO MORE THAN 8 SCOUTS MAY BE WITH THE SLED AND PARTICIPATE AT THE STATIONS.** We encourage your Troop to mix older Scouts and younger Scouts. This is a great training tool for your older Scouts to lead and teach.

# BLACK ROCK DISTRICT KLONDIKE DERBY 2020

## SKILL STATIONS FOR BASIC TRAIL

**INSPECTION:** Two (2) Inspections will be conducted. The first one will be before starting the trail, on Patrol and Personal gear. The second one will be at the end of the trail on the sled, its construction, and durability. All participants must wear proper attire at all times. (See personal equipment) Scoring: Pre-inspection 15 points, Post inspection 5 points.

**FIRST AID, and SEARCH & RESCUE:** Will consist of a First Aid scenario and search & rescue scenario. Scouts will be required to rescue ,treat and explain why. Use First Aid section of the Boy Scout Handbook. Scoring: 15 points

**KNOTS and LASHINGS:** Patrol Members should know all of the required knots and lashings found in the Boy Scout Handbook to complete an unknown task. Scoring: 15 points

**LEADERSHIP EXERCISE1:** Need to understand and demonstrate the patrol method to complete a task designed to test the leadership skills of the patrol. Scoring: 15 points

**GEOCAHING:** Scouts will be required to show ability to learn and use a common GPS unit to complete on assigned task. Scoring: 15 points

**MAP & COMPASS:** Each Patrol Member will need to perform a task involving the use of a map and/or compass and GPS. The problem may also involve pace count. Scoring: 15 points

**SURPRISE1:** Scouts will be judged, while completing an unknown task, on leadership and participation. Scoring: 15 points

**WOODS TOOLS:** Patrols must demonstrate the safe use and handling of various woods tools as shown in the Boy Scout Handbook. Scouts should be knowledgeable of the parts of the tools, as well as the effective use of the tools. Scoring: 15 points

**COOKING :** The scouts must cook a hot lunch over or in a fire. Must contain main course , Scoring: 50 points

**SURPRISE 2:** Scouts must complete an unknown task focusing on teamwork Scoring: 15 points

# KLONDIKE DERBY BASIC TRAIL REQUIRED EQUIPMENT

## PERSONAL EQUIPMENT LIST:

- Mess kit & Eating utensils
- Rain clothing
- Folding pocket knife (no fixed blade knives)
- Cold weather clothing, gloves and cap, extra socks in coat pocket (if it is a warm day, above 40 degrees, a long underwear/thermal layer need not be worn but must be brought along. BE PREPARED!)
- Weatherproof shoes or boots.
- Each scout must bring one can of NON creamed beef or chicken based soup.

## SCOUTS MUST HAVE:

Scouts must have stocking caps or hats that are able to cover the ears, gloves or mittens, and weatherproof shoes or boots. Athletic shoes/sneakers will not be permitted on the trail. Hoods do not qualify as proper headgear but are recommended as additional protection. Anyone not properly dressed will not be permitted on the trail! Judges decision at the initial sled inspection is final.

\*Scouts are expected to be dressed appropriately for the weather; however, during the pre and post inspection, Scouts should make sure they wear the gear listed above.

## PATROL EQUIPMENT:

- Sled made to the required specifications noted herein
- Patrol flag
- Patrol roster
- Patrol cooking gear (YOU WILL NEED A POT WITH A HANDLE, THAT CAN BE SUSPENDED OVER THE FIRE)
- Pan that can be used for a L.N.T. pan fire, with matches, tinder, kindling and firewood for lunchtime meal (Fire pans are simply anything that serves as a flame-resistant metal tray with sides of at least three inches)
- A few rocks, or suitable substitute, to set your fire pan on. It needs to be elevated a few inches off the ground
- Patrol first aid kit (including at least four cravats, three pair of rubber gloves and three safety glasses)
- Padded splints for arms and legs
- Sled repair kit
- Water jug(s) to hold two gallons of water
- Gps \ or app that you can enter coordinates and have at least one scout able to use the device (gps units will be available to use if you do not have access to one but please make an effort to provide your own)
- Watch

- Minimum of two compasses
- Rope (100 feet)
- One full size blanket
- Paper and pencils, and a covered clipboard (or equivalent)
- Tarps for shelter and ground cover
- Three (3) six foot long staves (or equivalent)
- Boy Scout Handbook
- Fire starter and kindling

**Note:** There will be an initial inspection of Scouts and Patrol gear at the Administration Building before going on the trail and a final inspection after you finish. All equipment listed above is necessary for the Derby.

**NO CELL PHONES, OR WALKIE TALKIES ARE PERMITTED ON THE TRAIL. IF ANY OF THESE ITEMS ARE USED, POINTS DEDUCTIONS AND/OR DISQUALIFICATION WILL RESULT.**

# BLACK ROCK DISTRICT KLONDIKE DERBY 2020

## Cooking:

- **Cooking will be done at the station your team is at right before lunchtime**

**NOTE: LIQUID FUELS ARE NOT PERMITTED AT HAWK MOUNTAIN SCOUT RESERVATION.  
PROPANE AND BUTANE WILL NOT BE ALLOWED FOR THE COOKING COMPETITION.**

### **COOKING INSTRUCTIONS**

Only the Patrol members are permitted to prepare the meal; adults are not permitted to assist in any way. Each Patrol must prepare an extra serving for a judge and a portion of the score will depend on how much the Patrol impresses the judge with their meal. You will have 1 hour and 10 minutes for lunch; including prep and clean up. You may leave your hot dishes and fire pan. And return to get it after all stations are complete

- 1 Scouts must make a meal. the meal team this year is taste of italy
- 2 Hot beverage
- 3 Bread and spread (jelly, peanut butter, butter, etc.)
- 4 Dessert

The type of meat and ingredients for the meal will be up to the Patrol. Pre-cooking the meat is allowed. Canned vegetables are acceptable.

### **UTENSILS**

Each Scout in the Patrol must bring his mess kit and utensils. The Patrol will need a large pot that can be suspended over a fire, for the stew (a Patrol of 8 will need to prepare 9 servings), a chef's kit, and additional pots and pans as needed. Also two garbage bags for clean up. Bring everything you'll need. No borrowing!

### **ADDITIONAL EQUIPMENT**

Each Patrol will need to bring a fire pan to build their Leave No Trace fire in. A fire pan is simply a flame-resistant metal pan with sides at least three inches high. You will also need a few rocks, or suitable substitute, to elevate your pan a few inches off the ground. The Patrols must also bring fire starter. No outside fire wood permitted in camp... pick up your fire wood while hiking along the trail.

# BLACK ROCK DISTRICT KLONDIKE DERBY 2020

## SLEDS:

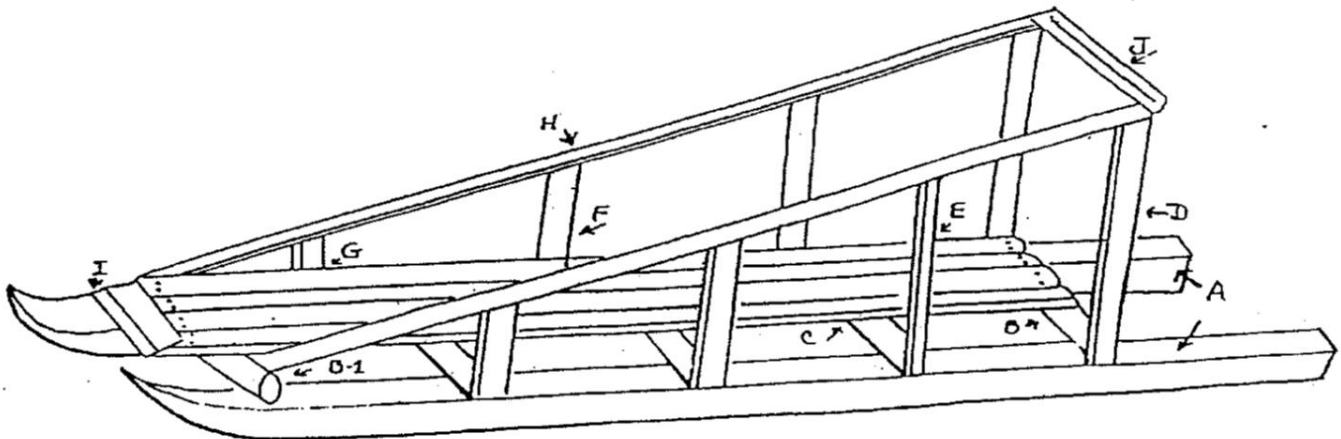
### **SLED SPECIFICATIONS:**

Sleds may be of your own design, or you may use the sample plan that is included in this booklet. All sleds must be built to the following specifications:

1. Capable of transporting one Scout and 50 pounds of gear.
2. Length 5 foot minimum; 6 ½ foot maximum.
3. Width – 18 inch minimum; 24 inch maximum.
4. Sleds must have a minimum of 4-inch ground clearance.
5. A pair of wheels on a single axel with a wheel diameter not to exceed eight (8) inches may be mounted on the sled. These wheels must be removable because their usage will be determined at the initial inspection station based on the weather and ground conditions at that time. Wheel size is limited, no deer carts.
6. Sleds are to be made of wood. Metal hardware may be used.
7. Sleds should have two ropes of ¾ inch and 12 feet long; one for each side of the sled (no wash line or twine). A brake rope at the rear of the sled is essential.
8. A sled repair kit with 4 – 5 items is required for minor sled repairs that may be needed on the trail. Include hammer, screwdriver, pliers, wrench, nuts/bolts, nails, or screws and wire/duct tape to repair sled. Inspectors expect each sled to be repairable on the trail, plan your kit accordingly.
9. If commercial skis are used as runners, they must be reinforced with 1" x 4" or heavier boards.
10. Sleds should have wire or cloth on the sides to prevent the loss of Patrol gear.
11. Side rails make lifting of the sled easier over ditches or logs.

### **BILL OF MATERIALS**

- A. 2 pieces 2"x6"x6'6" runners
- B. 4 pieces 2"x2"x18" cross supports
- B1. 1 piece 2"x2"x20" cross support
- C. 4 pieces 1/2"x4"x5' floor planks
- D. 2 pieces 1"x2"x40" rear uprights
- E. 2 pieces 1"x2"x31" second rear upright
- F. 2 pieces 1"x2"x22" second front upright
- G. 2 pieces 1"x2"x18" front uprights
- H. 2 pieces 1"x2"x6' hand rails
- I. 1 piece 1"x4"x16" tow bar
- j. 1 piece 1"x2"x20" handle bar





## BLACK ROCK DISTRICT KLONDIKE DERBY 2020

The Registration Cost this year is:

- Scouts BSA: \$15.00
  - The fee for youth is for participation in the klondike, materials used in the klondike, participation patch, and closing dinner.
- Staff/Adults: \$5.00
  - The fee for adults and staff are for participation patch, and closing dinner.
- Units AND Staff must register on [tentaroo.com](http://tentaroo.com)
  - No paper registrations will be accepted, if assistance is needed please call the Council Office (610) 926-3406
  - A \$5.00 late fee will be added for each participant after January 10<sup>th</sup>, 2020.
  - Please contact Chuck Faust at [bsa03eagle@hotmail.com](mailto:bsa03eagle@hotmail.com) if wishing to staff the event.

Units will have a chance at earning the yearly trophies. 1<sup>st</sup> 2<sup>nd</sup> 3<sup>rd</sup> place, Overall and 1st place for each event.

**BLACK ROCK DISTRICT KLONDIKE DERBY  
TROOP / CREW ROSTER**

Troop / Crew (please circle one) # \_\_\_\_\_

Unit Leader \_\_\_\_\_

Sr. Patrol Leader \_\_\_\_\_

Patrol Name: \_\_\_\_\_ Patrol Name: \_\_\_\_\_

Scouts: \_\_\_\_\_  
\_\_\_\_\_  
\_\_\_\_\_  
\_\_\_\_\_  
\_\_\_\_\_  
\_\_\_\_\_  
\_\_\_\_\_  
\_\_\_\_\_

Scouts: \_\_\_\_\_  
\_\_\_\_\_  
\_\_\_\_\_  
\_\_\_\_\_  
\_\_\_\_\_  
\_\_\_\_\_  
\_\_\_\_\_  
\_\_\_\_\_

Patrol Name: \_\_\_\_\_ Patrol Name: \_\_\_\_\_

Scouts: \_\_\_\_\_  
\_\_\_\_\_  
\_\_\_\_\_  
\_\_\_\_\_  
\_\_\_\_\_  
\_\_\_\_\_  
\_\_\_\_\_  
\_\_\_\_\_

Scouts: \_\_\_\_\_  
\_\_\_\_\_  
\_\_\_\_\_  
\_\_\_\_\_  
\_\_\_\_\_  
\_\_\_\_\_  
\_\_\_\_\_  
\_\_\_\_\_

Adult Leader: \_\_\_\_\_ Adult Leader: \_\_\_\_\_

Adult Leader: \_\_\_\_\_ Adult Leader: \_\_\_\_\_

Adult Leader: \_\_\_\_\_ Adult Leader: \_\_\_\_\_

Adult Leader: \_\_\_\_\_ Adult Leader: \_\_\_\_\_